

D1 Self-powered RF Transmitter

Product Specification

Modify Record

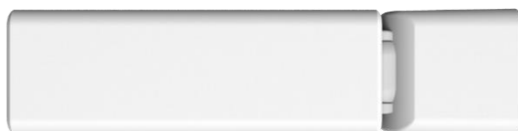
Serial Number	Version	Date	Modify Content
1	V1.0	2020-06-02	Initial Version

1. Product Overview

1.1 Product Introduction

D1 door sensor with EBELONG controller can automatically turn on the light after sensing that the door is opened, automatically turn off the light after sensing that the door is closed. Equipped with EBELONG smart doorbell gateway, it can realize more home smart applications.

1.2 Production Image



2. Product Features

2.1 Pairing Method with Controller

After the controller enters the pairing state, quickly close the door and switch once (within 1 second). After the indicator on the controller stops flashing, the pairing is successful. This pairing method simulates the "directional pairing of rocker switches".

2.2 Technical Parameters

Project	Parameters
Power Supply	Self-powered
Communication	RF 433M
Modulation	FSK
Letter of Agreement	EBELONG1.1

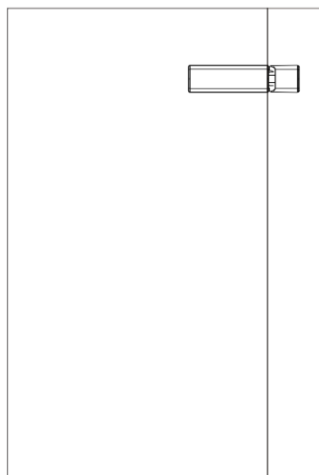
Communication Distance	80m (outdoor), 25m (indoor)
Service Life	≥100000 times
Operating Temperature	-20°C ~ +55°C
Shell Material	PC
Installation Method	Double-sided adhesive paste installation

3. Installation Instructions

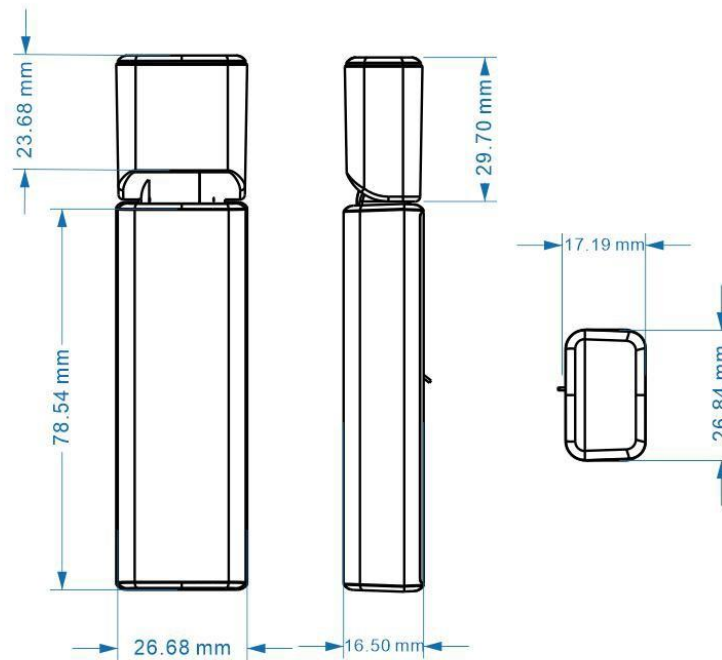
1. Remove the double-sided tap on the back.



2. Fix the door contact on selected door. Do not attach to metal security doors as this may affect signal transmission.



4. Product Dimensions



5. Application Scenarios

5.1 Cabinet Door Application:

The door magnet is pasted on the cabinet door. When you need to take clothes, open the cabinet door and the cabinet light strip will automatically turn on; when the cabinet door is closed, the cabinet light strip will automatically turn off.

Note: This function needs to be connected to the cabinet light strip with the EBELONG controller, and the D1 door sensor can be matched with the controller.

5.2 Window Application:

The door sensor is pasted on the window of the home. When the window is opened or closed, the window status will be synchronized to the mobile phone app to realize the remote real-time view of the window status at home.

Note: This function needs to be implemented with the EBELONG doorbell gateway, and the mobile app can use TUYA Smart or wireless kinetic energy.